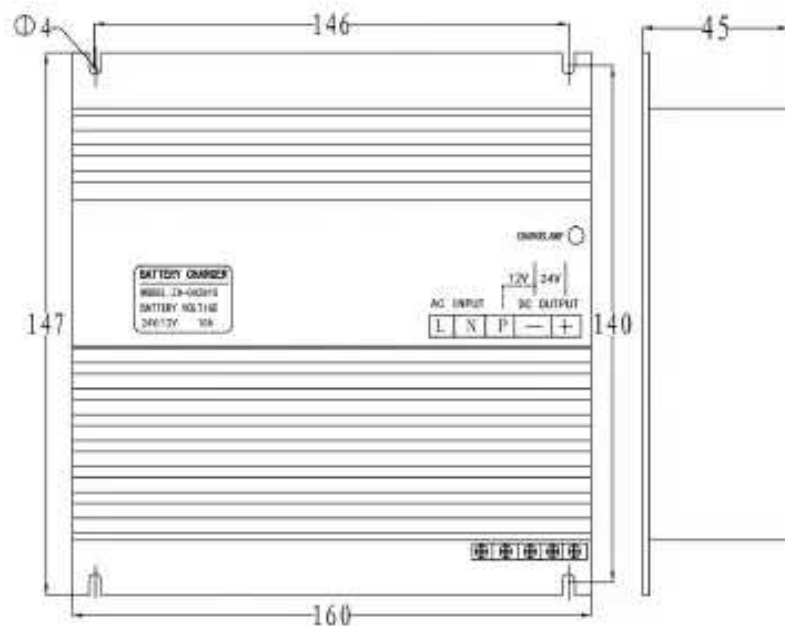


智能充电器

Intelligent Battery Charger

ZH-CH2800A系列

安装使用说明书



本公司产品保留对产品外观及设计改进和改变的权利，而无需事先通知。产品及配件均以实物为准
Our company keeps the right to improve and change the appearance of the product without notice
in advance. Products and appurtenances are on the level of substances.

安装使用说明 Installation instructions

ZH-CH2800系列智能充电器是专门为12V/24V蓄电池充电而设计；是目前行业内最先进真正实现智能化能充电。产品型号/规格有：ZH-CH2810A（10A）；ZH-CH2806A（6A）；ZH-CH2804A（4A）；

ZH-CH2800 series intelligent charger is specially designed for charging 12 v / 24 v battery, which is the most advanced in the industry to realize intelligent charging. There are three models: ZH-CH2810A (10A) , ZH-CH2806A (6A) and ZH-CH2804A (4A)

一、整体机构 Whole Structure:

1.1 机壳采用铝型材使产品具有良好的散热性能和防腐强度；

1.1 Adopting the aluminum material for the shell to make sure the product with good heat dispersion and corrosion resistance.

1.2 所有电子元件都按军用级选用，且整体电路板用环氧树脂灌封，使产品具有更强的防潮、防腐、抗振性能；

1.2 All electronic components are selected as military grade demand, the whole circuit board is potted by epoxy, to make sure the products more moistureproof, corrosion resistance and vibration resistance.

二、技术特性 Technical Characteristics:

2.1 适用于各种品牌型号12V和24V电池充电使用，通过跳线选择12V或24V电池充电（请注意：按图接线）；

2.1 It is suitable for various brands of 12V and 24V battery, selection 12V or 24V battery charging by the wire jumper. (Note: Connecting the wire by the diagram).

2.2 工作电压AC 80-275V、工作频率20-600Hz，可保证发动机在低转速（怠速）时仍可充电。

2.2 Working Voltage is AC 80-275VAC, Working Frequency is 20-600Hz, it can ensure the engine still can be charged at low speed (idling).

2.3 可通过柴油发电机组的电能直接进行充电，以替代机身充电器。

2.3 It can be charged directly by diesel generator's power to replace the charger.

2.4 可在温度-40℃~+65℃及相对湿度98%RH不凝露的潮湿环境中使用。

2.4 It can be used at a temperature between -40℃~+65℃ and a 98%RH wet condition without congealing.

2.5 可允许在市电对蓄电池充电的同时启动启动电机。

2.5 It allows to run the start motor when charging the battery by the grid.

2.6 适用于对铅酸蓄电池，特别适用于对全密封固体宽温蓄电池进行充电。

2.6 It is suitable for lead-acid batteries, especially charging for fully sealed solid wide temperature battery.

2.7 可对涪电电池恒流、恒压、涪流充满自停。

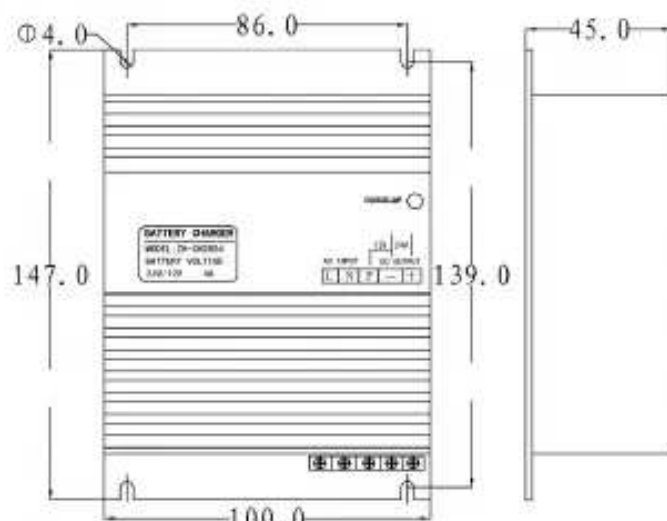
2.7 It can charge by constant current and voltage, when the battery is nearly full, will transfer to trickle current then stop automatically.

2.8 软启动功能：由于系统采用软启动设计，所以不会因通电冲击而产生较大的火花，另外当充电器已在线连接时，也不会因刚接通电源而对供电系统产生干扰。

2.8 Soft Start: As the system adopts the soft start design, it will not produce spark for electrical impulse. Besides, when the charging machine is connected online, it will not interrupt the electricity system.

安装尺寸图

Installation Dimensions Diagram



智能充电机尺寸安装图

