



**SmartGen**  
ideas for power

# HAT310 ATS CONTROLLER USER MANUAL



SMARTGEN (ZHENGZHOU) TECHNOLOGY CO.,LTD.



Chinese trademark

**SmartGen** English trademark

**SmartGen** —make your generator *smart*

**SmartGen Technology Co., Ltd**

**No. 28 Jinsuo Road**

**Zhengzhou City**

**P. R. China**

Tel: 0086-371-67988888

0086-371-67981888

0086-371-67991553

0086-371-67992951

0086-371-67981000 (overseas)

Fax: 0086-371-67992952

Web: [www.smartgen.com.cn](http://www.smartgen.com.cn)

[www.smartgen.cn](http://www.smartgen.cn)

Email: [sales@smartgen.cn](mailto:sales@smartgen.cn)

All rights reserved. No part of this publication may be reproduced in any material form (including photocopying or storing in any medium by electronic means or other) without the written permission of the copyright holder.

Applications for the copyright holder's written permission to reproduce any part of this publication should be addressed to Smartgen Technology at the address above.

Any reference to trademarked product names used within this publication is owned by their respective companies.

SmartGen Technology reserves the right to change the contents of this document without prior notice.

Software Version

Date	Version	Content
2017-06-21	1.0	Original release

## CONTENTS

1. OVERVIEW .....	4
2. PERFORMANCE AND CHARACTERISTICS .....	4
3. SPECIFICATION.....	5
4. PANEL DESCRIPTION.....	5
4.1 FRONT PANEL .....	5
4.2 POTENTIOMETER FUNCTION DESCRIPTION .....	5
4.3 INDICATOR DESCRIPTION.....	6
4.4 OPERATION .....	6
4.4.1 MAINS CLOSE .....	6
4.4.2 GEN CLOSE.....	6
5. CONNECTION .....	7
6. TYPICAL APPLICATION .....	8
7. CASE DIMENSION AND PANEL CUTOUT .....	10
7.1 CASE DIMENSION.....	10
7.2 INSTALLATION METHOD AND INSTALLATION DIMENSIONS.....	10
8. TROUBLESHOOTING .....	12

## 1. OVERVIEW

**HAT310 ATS Controller** is suitable for 2-stage of PC, and ATS of CC class (close signal is constant output). It can accurately detect 3-phase 4-wire mains voltage and generator single phase voltage. When mains under voltage and loss of phase occurred, HAT310 will control ATS transfer after delay. If mains are unavailable, the controller has the function to initiate signals to start gen-set.

## 2. PERFORMANCE AND CHARACTERISTICS

**HAT310** controller can detect 3-phase 4-wire mains voltage/generator single phase voltage and control ATS.

Main characteristics are as follows,

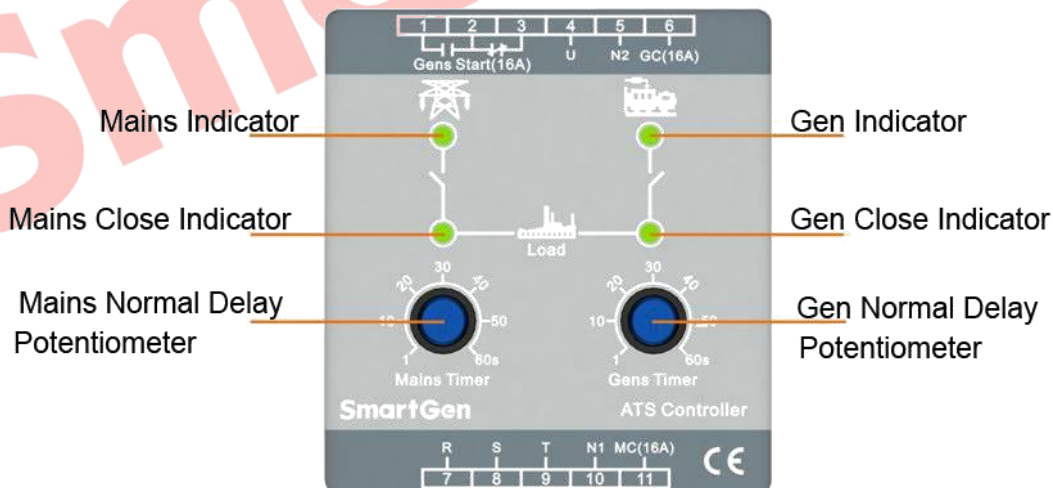
- 1) With automatic charge and automatic recovery function.
- 2) With under voltage and loss of phase detection function.
- 3) LED indicators on the panel can show working status of controller clearly.
- 4) Applicable for 2 isolated neutral line.
- 5) Mains normal delay configured via potentiometer (range: 1~60s), and generator normal delay via potentiometer (range: 1~60s)
- 6) Mains is unavailable, if any phase voltage belows minimum working voltage or phase loss occurred gen-set will be started.
- 7) Output contact capacity of mains and generator transfer relay is 16A AC250V, which can directly used to drive switch conversion.
- 8) Output contact capacity of GENS START relay is 16A AC250V, it is volt free normally-open/normally-closed contact.
- 9) Strong anti-electromagnetic interference performance enable controller to use in the environment with strong electromagnetic interference.
- 10) Modular design, self extinguishing ABS plastic shell, pluggable terminal, compact structure;
- 11) Two installation ways: internal 35mm slideway and internal screw mounting.

### 3. SPECIFICATION

Items	Contents
Operating Voltage	AC power A1N1/A2N2 supply. Rated AC240V (range: AC160~280V)
Power Consumption	Under rated voltage, power consumption of voltage circuit is not more than 2W
AC Voltage Input: 3-phase 4-wire Single-phase 2-wire	AC160V – AC280V (ph-N) AC160V – AC280V (ph-N)
AC Frequency	50/60Hz
Gens-set Starter Relay	16A 250V AC Volts free output (Normally close)
Mains Close Relay	16A 250V AC AC Supply output (Normally open)
Gen Close Relay	16A 250V AC AC Supply output (Normally open)
Case Dimensions	110mmx77.5mmx55mm
Screw Mounting Dimensions	65mmx65.1mm
Working Conditions	Temperature: (-25~+70)°C; Humidity: (20~93)%RH
Storage Condition	Temperature: (-25~+70)°C
Insulation Strength	Apply AC1.5kV voltage between high voltage terminal and low voltage terminal; The leakage current is not more than 3mA within 1min.
Weight	0.2kg

### 4. PANEL DESCRIPTION

#### 4.1 FRONT PANEL



#### 4.2 POTENTIOMETER FUNCTION DESCRIPTION

Potentiometer	Description
Mains normal delay potentiometer	Rotate potentiometer knob to adjust mains normal delay value (range: 1~60s), factory default: 5s;
Generator normal delay potentiometer	Rotate potentiometer knob to adjust gen normal delay value (range: 1~60s), factory default: 5s;

### 4.3 INDICATOR DESCRIPTION

Indicators	Description
Mains power indicator	Lamp illuminates: mains power available; Lamp off: mains power unavailable (one phase voltage under 160V or loss of phase);
Gen power indicator	Lamp illuminates: generator power available; Lamp off: generator without power supply;
Mains close indicator	Lamp illuminates: mains provide power for the load.
Gen close indicator	Lamp illuminates: generator provides power for the load.

### 4.4 OPERATION

#### 4.4.1 MAINS CLOSE

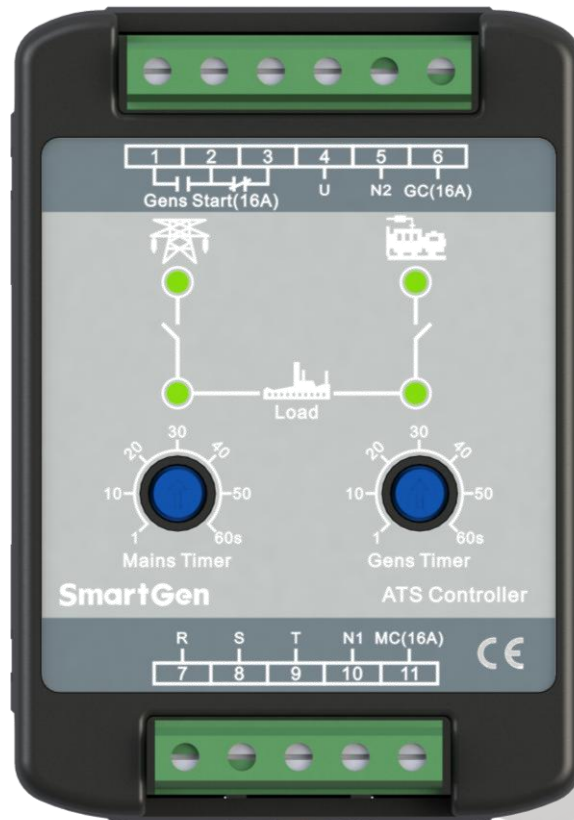
When mains power is available, its indicator on the panel of controller is illuminate, and mains close relay is connecting after the delay. Then gen-set starter relay coil power-on and mains close indicator is illuminate.

#### 4.4.2 GEN CLOSE

When mains is unavailable or any phase voltage is under 160V or loss of phase, both mains close indicator lamp and mains indicator lamp are off. Mains close relay is disconnect and engine starter relay coil is power-off. This moment if genset is available, gen power indicator is illuminate and gen close relay is connecting after the delay, and then gen close indicator is illuminate.

## 5. CONNECTION

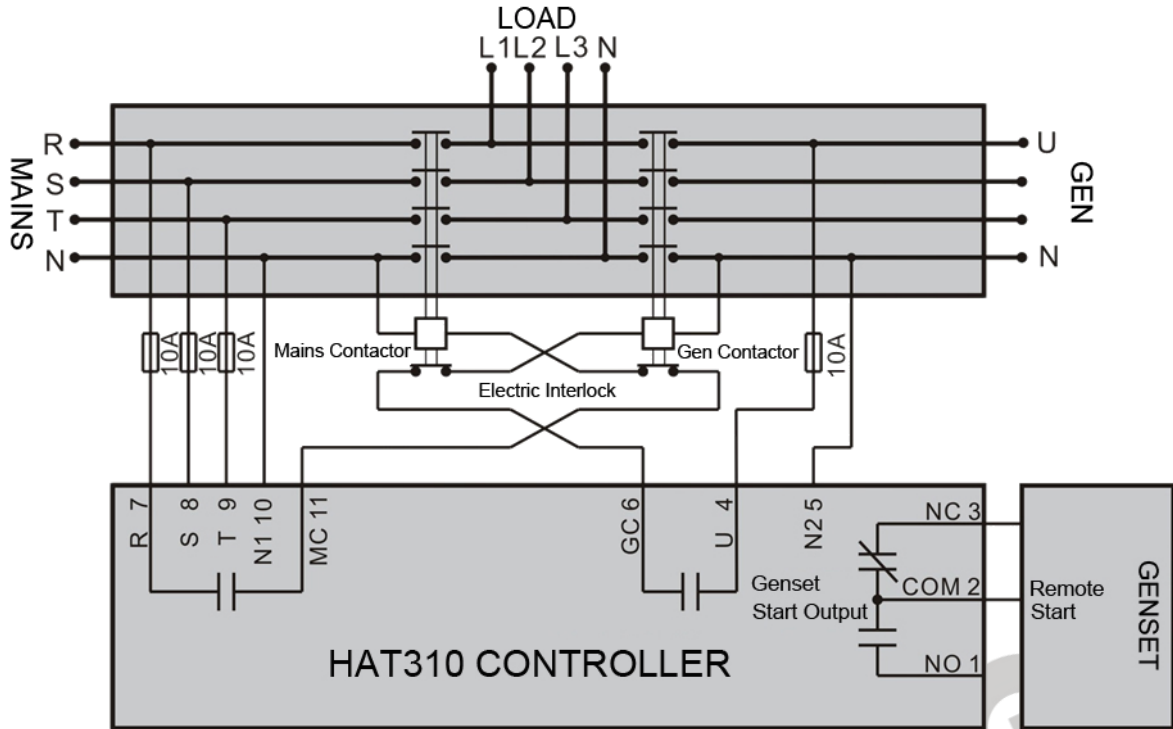
Controller front panel drawing is as follows,



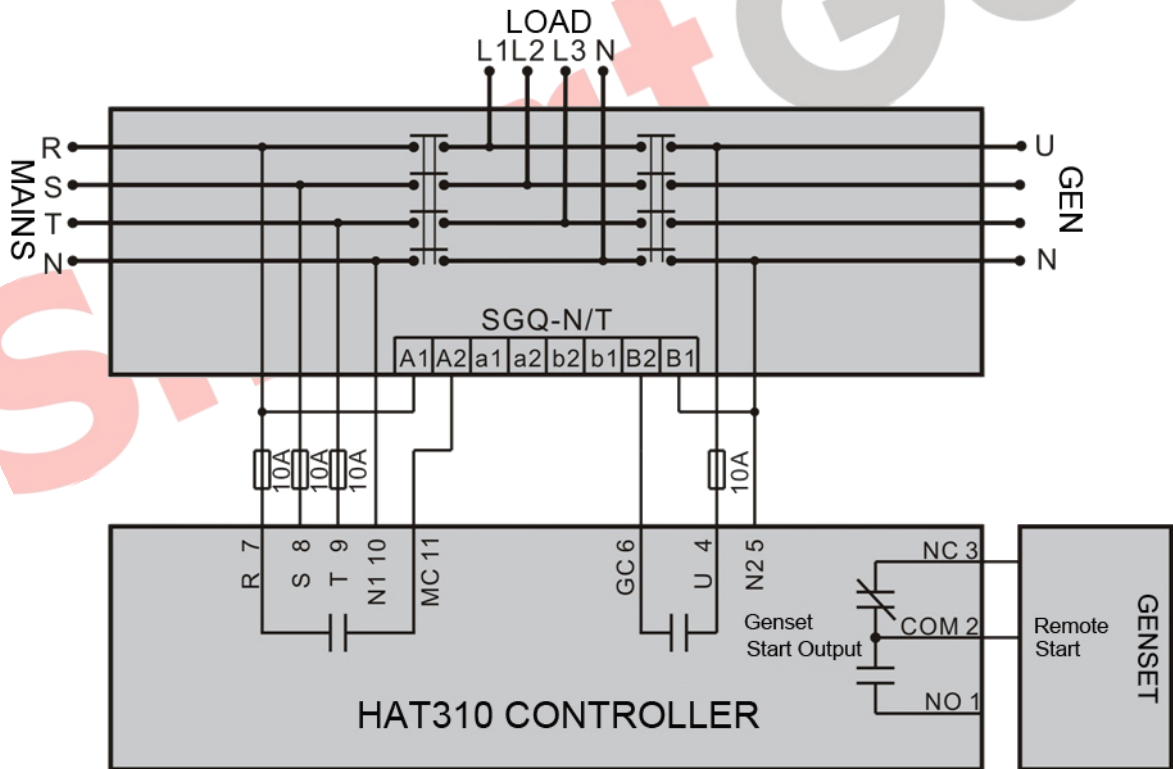
Terminal	Item	Function	Remark
1	Gens Start	NO	Volts free normally open (NO)/normally close (NC) output, rated 16A.
2		COM	
3		NC	
4	U	Gen-set AC power supply A phase	Generator AC power supply single phase voltage input.
5	N2	Gen-set AC power supply N phase	
6	GC	Gen close output	When close, it will output U-phase voltage with rated 16A
7	R	Mains AC power supply A-phase	Mains AC power supply 3-phase 4-wire voltage input.
8	S	Mains AC power supply B-phase	
9	T	Mains AC power supply C-phase	
10	N1	Mains AC power supply N-phase	
11	MC	Mains close output	When close, it will output R-phase voltage with rated 16A.

**NOTE:** See Typical Application for more details.

6. TYPICAL APPLICATION

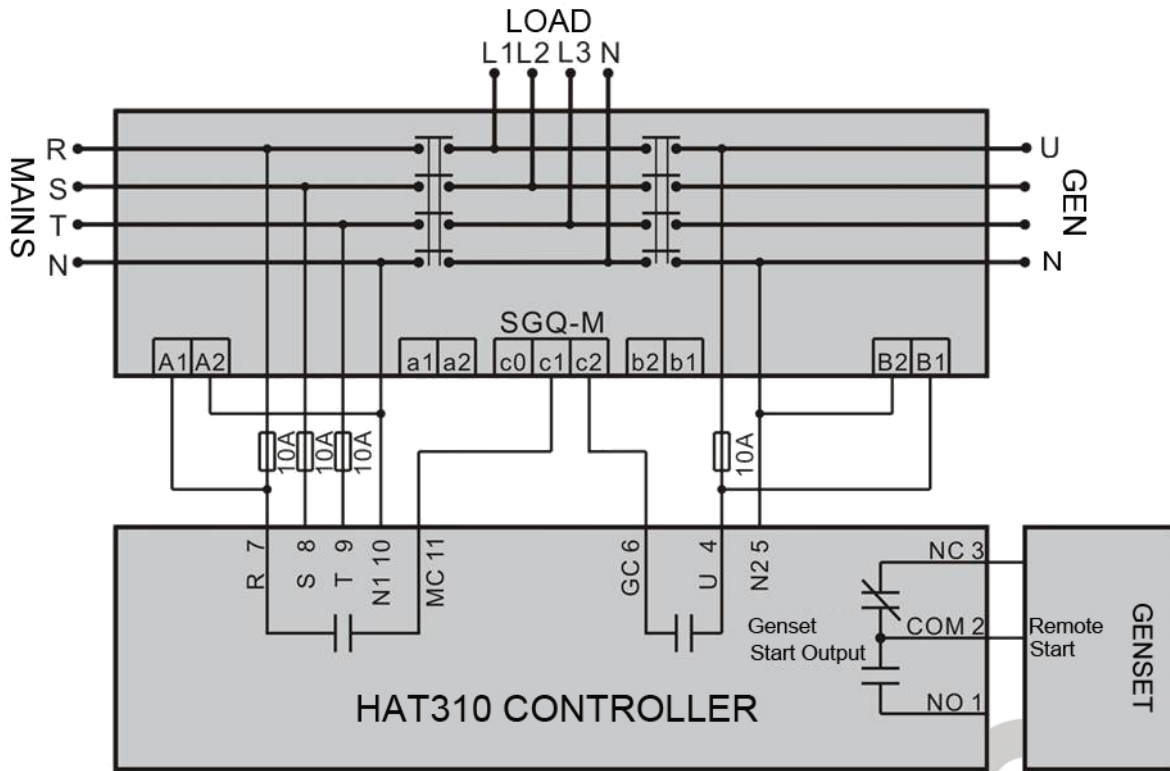


Contactor Application



SGQ-N/T Application





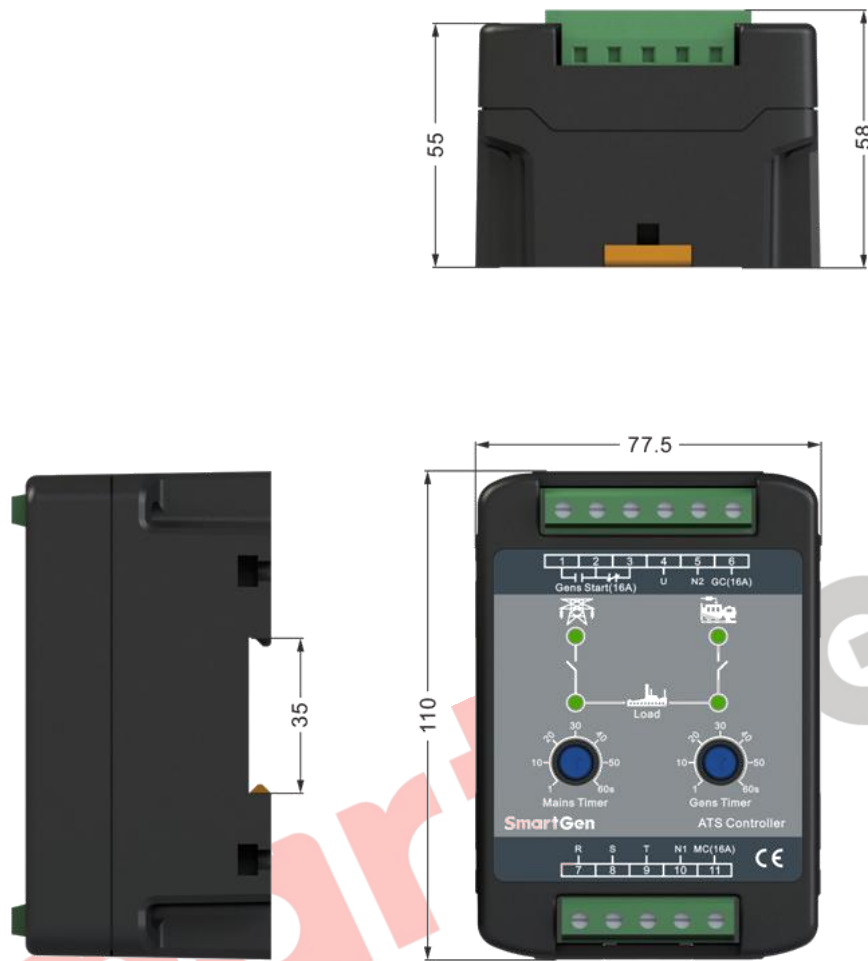
SGQ-M Application

**NOTE:** Above applications can be referenced when wire connecting. Actual wire connection should according to ATS wiring instructions. Choose fuse capacity based on the local actual power consumption instead of the fuse capacity in the above drawings.

## 7. CASE DIMENSION AND PANEL CUTOUT

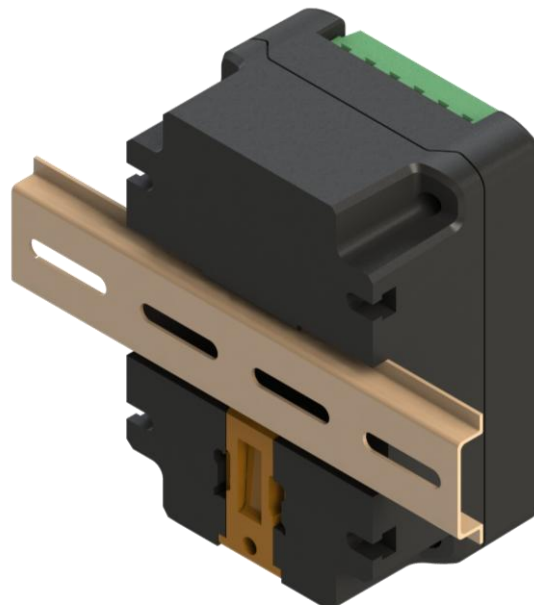
### 7.1 CASE DIMENSION

Unit: mm



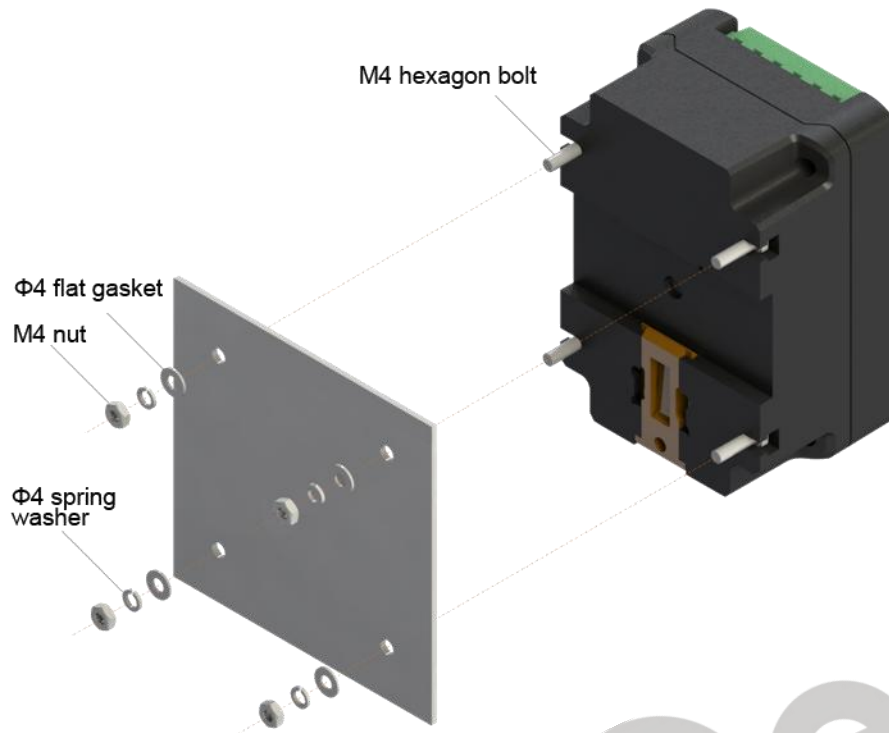
### 7.2 INSTALLATION METHOD AND INSTALLATION DIMENSIONS

The controller has two installation ways: internal 35mm slideway and internal screw mounting. Panel built-in and internal screw mounting are as below:

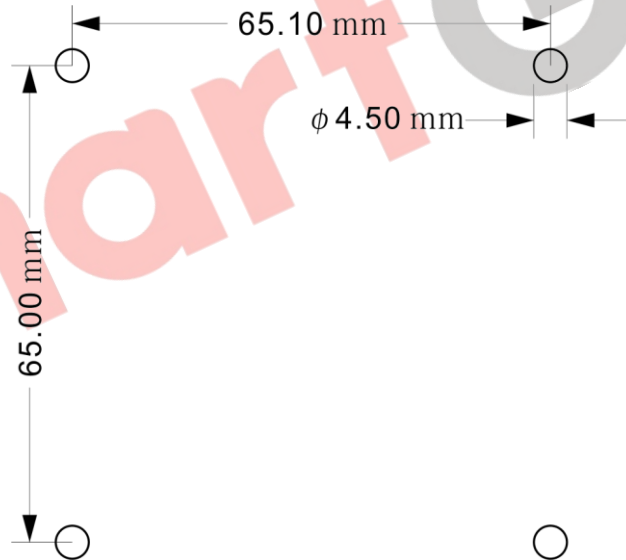




35mm Sideway Installation



Screw Installation



Screw Mounting Dimensions

**8. TROUBLESHOOTING**

Symptom	Possible Remedy
Controller inoperative	Check mains and generator wire connections and voltage.
Controller is normal but switch is not activate	Check ATS; Check the connections between controller and ATS.

SmartGen